

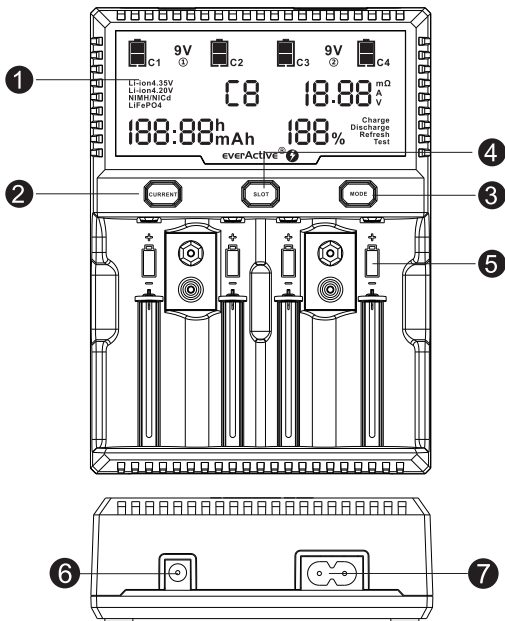


Professional Battery Charger

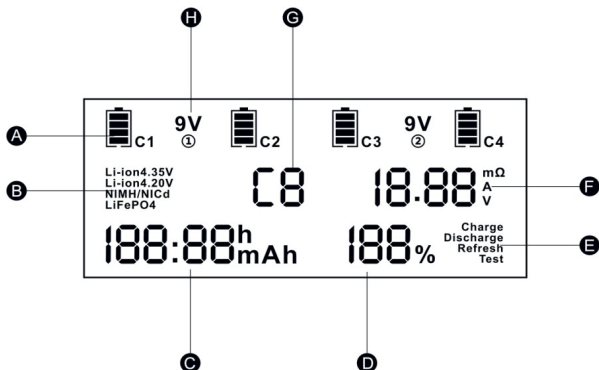
UC-4200

EN	USER MANUAL	page 5
DE	BEDIENUNGSANLEITUNG	seite 16
PL	INSTRUKCJA OBSŁUGI	strona 27

www.everactive.pl



- | | | | |
|----------|------------------------------------------------------|----------|----------------------------------------------------------------------|
| 1 | LCD display
LCD Anzeigefenster
Wyświetlacz LCD | 5 | Charging slots (1-6)
Ladeschächte(1-6)
Gniazda ładowania (1-6) |
| 2 | CURRENT button
CURRENT-Taste
Przycisk CURRENT | 6 | DC power input
DC /Wechselstrom Ausgang
Gniazdo zasilania DC |
| 3 | MODE button
MODE-Taste
Przycisk MODE | 7 | AC power input
AC/Wechselstrom Eingang
Gniazdo zasilania AC |
| 4 | SLOT button
SLOT-Taste
Przycisk SLOT | | |



- | | | | |
|----------|------------------------------------------------------------------------------------------|----------|---------------------------------------------------------------------------------------------------------------------------|
| A | Occupied charging slots
Belegte Ladeschächte
Zajęte sloty ładowania | E | Operation mode / status
Betriebsmodus / Statusanzeige
Status / tryb pracy |
| B | Selected battery type
Ausgewählter Akkutyp
Wybrany typ akumulatora | F | Internal resistance / Current / Voltage
Innenwiderstand / Strom / Spannung
Rezystancja wewnętrzna / prąd / napięcie |
| C | Operation time / Capacity
Betriebsmodusdauer / Kapazität
Czas operacji / Pojemność | G | Selected slot
Ausgewählter Steckplatz
Wybrany kanał ładowania |
| D | Percentage of charge
Prozentsatz der Gebühr
Procent naładowania | H | 9V battery indicator
9V-Batterieanzeige
Wskaźnik akumulatorów 9V |

EN

USER'S MANUAL

1. Technical data.

Specifications	
Supported battery types	Ni-MH: AAAA, R03 AAA, R6 AA, R14 C, SC, R20 D Li-ion and Li-FePO ₄ : 10440, 14500, 14650, 16340 (R-CR123), 17500, 17670, 18350, 18500, 18650, 20700, 21700 22650, 25500, 26500, 26650, 32650, 33600 Ni-MH/Cd, Li-FePO ₄ , Li-ion 6F22 / 9V battery maximum cell length: 76 mm
Termination voltage	Charge: Ni-MH: -dV (~1.48V), Li-ion: 4.2V/4.35V, Li-FePO ₄ : 3.65V Discharge: Ni-MH: 1.0V Li-ion: 2.8V, LiFePO ₄ : 2.3V
Charge current	Ni-MH: 0.2A/0.5A/0.8A/1A Li-ion/Li-HV/Li-FePO ₄ : 0.2A/0.5A/0.8A/1A/1.5A/2Ax2 only slot 1&4 9V battery: 60/120mA x2
Discharge current	200mA / 400mA – only slot number 4
Safety	microprocessor controlled, precise charging method, overcharge protection, damaged battery detection, 60h charge time protection
Functions	charge, discharge, refresh, capacity test, voltage meter, IR check, [%] progress indicator
LCD Display	clear, vivid, large display with backlight
Buttons	3
Operating temperature	0-40°C
Power Supply	universal: 100-240V AC, 0.8A Max car adapter (sold separately): 12V DC, 3A Max
Dimensions	167 x 122 x 44 mm

2. General Information. Intended use.

Thank you for buying genuine everActive product. UC-4200 is a professional Li-ion/Li-HV,Ni-MH/Li-FePO₄ battery charger and analyzer. Operating modes include: charge, discharge, refresh and test. This product is intended to charge and analyze a wide range of cylindrical rechargeable batteries including 3.0-3.3V Li-FePO₄, 3.6-3.85V Li-ion, 1.2V Ni-MH and also a 9V battery type..

Supported battery sizes: 10440 (AAA), 14500 (AA), 14650, 16340 (R-CR123), 17500,17670, 18350, 18500, 18650, 20700, 21700 22650, 25500, 26500 (C), 26650, 32650 (D), 33600 and 9V battery type.

UC-4200 supports both unprotected and protected cells, which height does not exceed 76mm.

The charger is equipped with six independent charging slots to provide the ultimate charging experience.

The charger is able to charge or discharge (test) batteries of different sizes and capacities at the same time.

Professional LCD display shows a wide variety of information: charged / discharged capacity, time, voltage, charging current, status, battery type and more.

UC-4200 should be only used with the genuine AC cable or certified DC adapters.



This product is in conformity with all provisions of Directive LVD 2014/35/EU, Directive EMC 2014/30/EU and it complies with relevant European Standards (EN).

3. Package contents.

Each box contains:

- everActive UC-4200 charger,
- user's manual,
- AC cable.

4. Safety instructions.

1. Read the instructions before using this charger.
2. The mains socket outlet must be close to the equipment and easily accessible.
3. This appliance can be used by children from 8 years and above and people with reduced physical, sensory or mental capabilities or lack of experience and knowledge if they have been given supervision or instruction concerning the use of the appliance in a safe way and understand the hazards involved.
4. Children must not play with the appliance. Cleaning and maintenance by the user must not be performed by children, unless they are over 8 years old and supervised.
5. Keep the appliance and its cord out of reach of children aged less than 8 years.
6. This charger is intended for use with cylindrical 3.0-3.3V Li-FePO₄, 3.6-3.85V Li-ion, 1.2V Ni-MH and 9V type rechargeable batteries only. Attempting to charge other types of batteries may cause personal injury, damage to the charger and batteries or lead to a fire.
7. The charger is intended for indoor use only. Exposure to any liquids or moisture can cause damage to the charger and batteries. Do not allow foreign objects to enter the charger. This could result in electrical shock or fire.
8. Disconnect the charger and its power adapter from power socket when not in use. Do not leave the charger unattended during operation.

9. Never use any extension cord or attachment not recommended by the manufacturer.
10. Do not operate the charger if it has been subjected to shock or damage. Take it to a qualified serviceman for repair.
11. Do not attempt to disassemble the charger or its power adapters as it may result in a risk of electric shock or fire.
12. Unplug the charger from power supply before attempting any cleaning. Use only a soft damp cloth. Do not use water, detergents or alcohol.
13. Do not attempt to charge batteries with visible defects or damage like rust, damaged isolation (wrapper), with dented or pierced casing as this could cause a fire.
14. Do not attempt to charge frozen cells.
15. Intended for use with original power adapters only.
16. Do not use batteries with their + (positive) and - (negative) ends (terminals) reversed.
17. Batteries can become hot during the charging process.

5. Power supply.

This charger should be used with original AC power input cable or certified 12V DC adapter / cable. When the charger is powered up, LCD display turns on.

6. Button controls.

SLOT – when charging more than one battery at once, switches to next occupied battery slot (C1,C2,C3,C4, 1 and 2 – for 9V batteries) with each button press. It is used to view detailed, individual charging information for each rechargeable battery.

MODE – After inserting the batteries in the charger long press (1-2s) the button to change the battery type. For the LiFePO_4 and Li-ion HV 3.85V you have to manually change the battery type. The charger can't identify those battery types by itself. This is very important in case of charging the LiFePO_4 . Additionally this button is also used for channel 4, where you can use different modes such as: discharge, refresh and test. Simply short press the button and select the desired process.

CURRENT – default charging current for channels C1 – C4 is 500mA and 120mA for 9V battery. Short press this button to select different charging or discharging current in discharge mode (discharge works only for slot C4).

7. Basic operations.

Immediately after inserting batteries the charger will carry the diagnostic procedure to determine the battery type and its condition. The charger will try to reactivate zero voltage cells by applying limited charging current for about 60 s. If no voltage increase is observed, the charger will indicate an error – all symbols will flash and ERROR message will appear - „Err”.

Depending on the battery voltage it will automatically detect Ni-MH and Li-ion batteries. When Li-ion cell is detected it is possible to manually activate the Li-FePO₄ or Li-HV charging mode as described in point 6. Battery type symbol is indicated on LCD display (Ni-MH, Li-ion, LiFePO₄, Li-ion 4.35V).

When inserting next batteries into the charger, the LCD will always show the status of the last inserted cell. The user can manually review other battery compartments by pressing SLOT button.

If no further action is taken by the user, the charger will start the charge process with default settings – with 500mA current for slots C1-C4 and 120mA for 9V slots 1-2.

8. Selecting operating modes and adjusting charging current.

Charger has an unique function that can test the internal resistance (IR) of inserted cells. The test is carried out automatically just after the battery is placed in any of the slots. This is very useful to determine in what condition is the battery. Together with capacity test it's all you need to have a full knowledge about your battery health. Please note that the IR measurement is very sensitive and there can be some measurement errors for example the IR result obtained in a new charger can be a bit too optimistic, especially with Li-ion batteries. The IR results tend to increase due to aging of batteries and charger (due to increased contact resistance). As for the consumer grade charger the IR results are very accurate and allow to easily compare the cells between each other. For optimum results the battery should be charged in about 30-70%. Measuring the IR on the discharged or nearly charged battery may bring false results.

How to read IR results (lower is better):

Ni-MH

<70 mΩ – high quality/new cell with high output capabilities,
70-200 mΩ – increased internal resistance, limited

Li-based

< 30 mΩ high quality/new cell with high output capabilities,
30-150 mΩ typical cell for low drain applications or a cell with

<p>performance in high drain applications, less reliable operation, 200-500 mΩ – it is recommended to run refresh cycles and check the value again. If there is no improvement the cell is worn out and may be used only in low power devices, but it is recommended to dispose such battery, >500 mΩ - it is recommended to run refresh cycles and check the value again. If there is no improvement the cell is completely worn out and should be disposed,</p>	<p>integrated PCM (electronic protection module) 150-250 mΩ - increased internal resistance, should not be used in high drain applications, >250 mΩ – not a typical and very high result for a Li-based 16340/18650/21700 cell – being one of these the cell should be disposed.</p>
----------------------------------------------------------------------------------------------------------------------------------------------------------------------------------------------------------------------------------------------------------------------------------------------------------------------------------------------------------------------------------------------------------------------------------------------------------------------------------------------	-----------------------------------------------------------------------------------------------------------------------------------------------------------------------------------------------------------------------------------------------------------------------------------------------------------------

To make sure the obtained IR results are valid, make sure the contacts / metal parts of the charger and battery are clean. It is recommended to make few measurements – if the value is repeatable it can be considered as valid. It is always good to have a reference battery of the same type, with known low IR value to compare the results.

The default operating mode of UC-4200 is charging (CHARGE) with a current of 500mA for slots C1-C4 and 120mA for 9V battery type. Charging current can be altered for all type of batteries by pressing MODE button for 1-2s. Operating modes can be changed only for slot C4 and it can be chosen from: charge, discharge, refresh and test.

Operating mode and charging current can be changed as the charge process is running. Any change of operating mode resets the recorded data for all inserted batteries.

9. Charge mode.

The charger has six independent charging slots. It allows to charge different cells, sizes, capacities in different (from 1pc to 6pcs) quantity at the same time. All compatible batteries are automatically charged (except the LiFePO₄ and Li-HV, which have to be selected manually). The charge process is strictly controlled and terminated with very good precision (the termination method depends on battery type). When the operation is finished, the full battery symbol is visible next to corresponding slot number. Finished process is also indicated by 'End' label on LCD when showing the status of selected battery slot. Each battery status can be reviewed by pressing SLOT button. The display shows a wide variety of information: charged capacity (not actual cell's capacity), time, voltage and charge percentage.

NOTE: we recommend that batteries with a capacity of less than 1000mAh are charged only by using 500mA setting. Charging with 1000mA current may shorten battery's life.

10. Discharge mode.*

Press the MODE button shortly to select DISCHARGE mode. There are two discharge currents to choose: 200mA and 400mA. The end voltage depends on battery type. When the entire process is completed the empty battery will occur next to corresponding slot - C4. In this process the battery won't be charged! It's not recommended to leave cells in discharge state. Finished process is also indicated by 'End' label on LCD. For a

new, good quality cell **the discharged capacity should be very close to the rated capacity** of the cell.

11. Refresh mode.*

It's a special combination of several charge and discharge cycles. The charger tries to maximize the capacity of older cells, which were not used for an extended period of time. It can be used to initialize/form new batteries. Press the MODE button shortly to select Refresh mode. The discharge current is strictly connected to the charge current. For the 200mA and 500mA charge current the discharge current will be 200mA, every other higher current will cause higher discharge current which is 400mA. When the entire process is completed the full battery will occur next to corresponding slot - C4. Finished process is also indicated by 'End' label on LCD. For a new, good quality cell **the discharged capacity should be very close to the rated capacity** of the cell.

12. Test mode.*

In this mode the charger will charge the battery first, then discharge and charge again. The current mechanism is the same as in the refresh mode – the discharge current is connected to the charge current. For 500mA max charge current the discharge current will be set to 200mA, every higher current will cause to set the discharge current to 400mA. When the entire process is completed the full battery will occur next to corresponding slot - C4. Finished process is also indicated by 'End' label on LCD. For a new, good quality cell **the discharged capacity should be very close to the rated capacity** of the cell.

***NOTICE:** DISCHARGE, REFRESH and TEST modes are available only for C4 slot!

13. Product disposal.



The crossed-out wheeled-bin symbol on your product, battery, literature or packaging, reminds you that **all electrical and electronic products, batteries and accumulators** must be taken to separate collection at the end of their working life. This requirement applies in the European Union. Do not dispose any of these products as unsorted municipal waste. By proper disposal you contribute to the protection of the environment and natural resources. More on: www.everActive.pl/eco.

14. Warranty.

Baltrade will repair or replace your charger free of charge if it is proven to be defective within two years from the date of purchase. Baltrade shall not be held liable for any damage caused by misuse or not using the product in accordance with this manual. Warranty will be invalid if the charger was modified in any way, disassembled, exposed to moisture, liquids, ingress of solid objects, extreme thermal or environmental conditions, rapid changes in such conditions that result in damage to the charger's electronics.

If the charger was proven to be defective, it will be repaired or replaced. In the event of a warranty claim, please contact the retailer from whom you purchased your charger.

You can also send it together with all accessories, to the address below:

Baltrade sp. z o.o.
Kartuska 493
80-298 Gdansk, Poland

E-mail: support@baltrade.eu

Receipt or invoice as a proof of purchase should be provided. This warranty does not affect and is in addition to legal (statutory) rights under applicable national laws relating to the sale of consumer products.

1. Technische Angaben

Spezifikationen	
Unterstützte Batterietypen	Ni-MH: AAAA, R03 AAA, R6 AA, R14 C, SC, R20 D Li-ion and Li-FePO ₄ : 10440, 14500, 14650, 16340 (R-CR123), 17500, 17670, 18350, 18500, 18650, 20700, 21700 22650, 25500, 26500, 26650, 32650, 33600 Ni-MH/Cd, Li-FePo ₄ , Li-ion 6F22 / 9V batterie Maximale Akkulänge: 76 mm
Arbeitsspannung	Laden: Ni-MH: -dV (~1.48V), Li-ion: 4.2V/4.35V, Li-FePO ₄ : 3.65V Entladen: Ni-MH: 1.0V Li-ion: 2.8V, LiFePO ₄ : 2.3V
Ladestrom	Ni-MH: 0.2A/0.5A/0.8A/1A Li-ion/Li-HV/Li-FePO ₄ : 0.2A/0.5A/0.8A/1A/1.5A/2Ax2 only slot 1&4 9V battery: 60/120mA x2
Entladestrom	200mA / 400mA – nur Slot Nummer 4
Sicherheit	Mikroprozessorgesteuert, präzises Laden, Überspannungsschutz, Erkennung beschädigter/defekter Akkus, 60 Stunden LadezeitüberwachungLaden, Entladen, Auffrischen, Kapazitätstest, Spannungsmesser, IR-Check, [%]-Fortschrittsanzeige
Funktionen	Laden, entladen, auffrischenLaden, Entladen, Auffrischen, Kapazitätstest, Spannungsmesser, IR-Check, [%]-Fortschrittsanzeige
LCD Anzeigefenster	Großes beleuchtetes Anzeigefenster
Knöpfe	3
Arbeitstemperatur	0-40°C
Stromversorgung	universal: 100-240V AC, 0.8A Max Autoadapter (nicht im Lieferumfang): 12V DC, 3A Max
Abmessung	167 x 122 x 44 mm

2. Allgemeine Informationen. Verwendungszweck.

Vielen Dank, dass Sie ein originales everActive Produkt gekauft haben.

Das Ladegerät UC-4200 ist ein professionelles Li-Ion/Li-HV, Ni-MH/Li-FePO₄ Batterieladegerät und ein Batterieanalysator. Dieses Produkt ist zum Laden und Analysieren einer breiten Palette von zylindrischen wiederaufladbaren Batterien einschließlich 3,0-3,3V Li-FePO₄, 3,6-3,85V Li-Ion, 1,2V Ni-MH und auch von 9V-Batterietypen vorgesehen.

Unterstützte Batteriegrößen: 10440 (AAA), 14500 (AA), 14650, 16340 (R-CR123), 17500, 17670, 18350, 18500, 18650, 20700, 21700 22650, 25500, 26500 (C), 26650, 32650 (D), 33600 und 9V Batterietyp.

Das UC-4200 unterstützt sowohl ungeschützte als auch geschützte Zellen, deren Höhe 76mm nicht überschreitet.

Das Ladegerät ist mit sechs unabhängigen Ladeschächten ausgestattet und somit effektiv und flexibel einsetzbar.

Zudem ist es in der Lage, Akkus verschiedener Größen und Kapazitäten gleichzeitig zu laden oder zu entladen (zu testen).

Das professionelle LCD-Display zeigt eine Vielzahl von Informationen an: geladene/entladene Kapazität, Zeit, Spannung, Ladestrom, Status, Batterietyp und mehr.

Das UC-4200 sollte nur mit dem Original-AC-Kabel oder zertifizierten DC-Adaptern verwendet werden.



Dieses Produkt entspricht allen Bedingungen der Direktive LVD 2014/35/EU und der Direktive EMC 2014/30/EU. Es ist daher kompatibel mit den European Standards (EN).

3. Lieferumfang

Lieferumfang:

- everActive UC-4200 Ladegerät,
- Bedienungsanleitung,
- Ladekabel.

4. Sicherheit

1. Vor der Verwendung des Ladegerätes, lesen Sie bitte die Bedienungsanleitung durch.
2. Die Netzsteckdose muss sich in der Nähe des Geräts befinden und leicht zugänglich sein.
3. Dieses Gerät kann von Kindern ab acht Jahren und von Personen mit beeinträchtigten, körperlichen oder geistigen Fähigkeiten bzw. eingeschränkter Wahrnehmung oder ohne Erfahrung und Kenntnisse verwendet werden. Bedingung ist hierbei ihre Beaufsichtigung und Anleitung hinsichtlich der sicheren Handhabung des Geräts und das Bewusstsein der damit verbundenen Risiken.
4. Kinder dürfen nicht mit dem Gerät spielen. Reinigungs- und Wartungseingriffe von Seiten des Bedieners dürfen nicht von Kindern unter acht Jahren oder von Kindern ab acht Jahren ohne Beaufsichtigung durchgeführt werden.
5. Halten Sie das Gerät und das Netzkabel außerhalb der Reichweite von Kindern unter acht Jahren.
6. Das Ladegerät wurde entwickelt, um mit wiederaufladbaren 3.0-3.3V Li-FePO₄, 3.6-3.85V Li-ion, 1.2V Ni-MH und 9V Akkus zu arbeiten. Der Versuch, andere Arten von Akkus oder Batterien zu laden, kann zu Beschädigungen am Ladegerät, zu Feuerschäden und zu Verletzungen an dem Benutzer führen.
7. Das Ladegerät darf nur in Innenräumen verwendet werden. Flüssigkeiten und Feuchtigkeiten können das Ladegerät und die Akkus beschädigen. Das Einfügen von anderen Objekten in das

Ladegerät kann zu einem Kurzschluss führen oder zu Strom- und Brandschäden.

8. Trennen Sie das Ladegerät und das Netzteil von der Steckdose, wenn dieses nicht im Gebrauch ist.
9. Das Ladegerät darf ausschließlich nur mit dem mitgelieferten Netzteil an das Stromnetz angeschlossen werden.
10. Verwenden Sie das Ladegerät nicht, wenn dies beschädigt ist. Das Ladegerät sollte zu einer Fachwerkstatt für die Reparatur oder den Austausch gebracht werden.
11. Das Ladegerät darf nicht geöffnet werden, denn dies kann zu einem Stromschlag oder Brand führen.
12. Nach dem Trennen der Stromversorgung vom Ladegerät, können Sie das Ladegerät mit einem trockenen weichen Tuch reinigen. Das Ladegerät darf nicht mit Wasser, Reinigungsmittel oder Alkohol in Berührung kommen.
13. Laden Sie Akkus nicht, wenn sie offene Mängel oder Beschädigungen, wie z.B.: Rost, beschädigte oder verzerrte Schutzfolie, mit zerknitterten oder durchlöchernten Gehäuse haben, denn dies kann zu einem Brand führen.
14. Gefrorenen Batterien nicht aufladen.
15. Das Ladegerät darf nur mit einer der mitgelieferten Netzteile benutzt werden.
16. Legen Sie die Akkus, entsprechend ihrer Polarität: (+) positiv und (-) negativ, in das Ladegerät.
17. Die Akkus können während des Ladevorgangs heiß werden.

5. Netzteil

Das Ladegerät nur mit dem Originalnetzteil oder einem zertifizierten 12V DC Adapter/Kabel nutzen. Wenn das Ladegerät über Strom verfügt, schaltet sich die LCD Anzeige ein.

6. Schaltflächen – Aufgabenbeschreibung

SLOT (Ladeschacht) – Dieser schaltet beim gleichzeitigen Laden mehrerer Akkus mit jedem Tastendruck auf den nächsten belegten Akkuschacht um (C1,C2,C3,C4, 1 und 2 - für 9V-Akkus). Er wird verwendet, um detaillierte, individuelle Ladeinformationen für jeden Akku anzuzeigen.

MODE (Modus) – Nachdem Sie die Batterien in das Ladegerät eingelegt haben, drücken Sie lange (1-2 Sekunden) auf diese Taste, um den Batterietyp zu ändern. Bei LiFePO₄ und Li-Ion HV 3,85V Batterien müssen Sie den Batterietyp manuell ändern. Das Ladegerät kann diese Batterietypen nicht selbst erkennen. Dies ist beim Laden von LiFePO₄ sehr wichtig. Zusätzlich wird diese Taste auch für den Kanal 4 verwendet, wo Sie verschiedene Modi verwenden können, wie z. B.: Entladen, Aktualisieren und Testen. Drücken Sie einfach kurz die Taste und wählen Sie den gewünschten Prozess aus.

CURRENT – Der Standard-Ladestrom für die Kanäle C1 - C4 beträgt 500mA und 120mA für 9V-Batterien.

Drücken Sie diese Taste kurz, um einen anderen Lade- oder Entladestrom im Entlademodus auszuwählen (Entladung funktioniert nur für den Steckplatz C4).

7. Grundfunktionen

Unmittelbar nach dem Einlegen der Batterien führt das Ladegerät ein Diagnoseverfahren durch, um den Batterietyp und seinen Zustand zu bestimmen. Das Ladegerät versucht, spannungslose Zellen zu reaktivieren, indem es für ca. 60 s einen begrenzten Ladestrom anlegt. Wenn kein Spannungsanstieg beobachtet wird, zeigt das Ladegerät einen Fehler an - alle Symbole blinken und die Fehlermeldung "Err" erscheint.

Abhängig von der Batteriespannung erkennt es automatisch Ni-MH- und Li-Ionen-Batterien. Wenn eine Li-Ionen-Zelle erkannt wird, kann der Li-FePO₄- oder Li-HV-Lademodus wie unter Punkt 6 beschrieben manuell aktiviert werden. Das Symbol für den Akkutyp wird auf dem LCD-Display angezeigt (Ni-MH, Li-Ion, LiFePO₄, Li-Ion 4,35V).

Beim Einlegen der nächsten Akkus in das Ladegerät wird auf dem LCD-Display immer der Status der zuletzt eingelegten Zelle angezeigt. Der Benutzer kann die anderen Akkufächer durch Drücken der SLOT-Taste manuell überprüfen.

Wenn der Benutzer keine weiteren Maßnahmen ergreift, beginnt das Ladegerät den Ladevorgang mit den Standardeinstellungen d.h. mit 500mA Strom für die Fächer C1-C4 und 120mA für die 9V-Fächer 1-2.

8. Betriebsmodus und Ladestromauswahl

Das Ladegerät verfügt über eine einzigartige Funktion, mit der der Innenwiderstand (IR) der eingelegten Zellen getestet werden kann. Der Test wird automatisch durchgeführt, kurz nachdem die Batterie in einen der Steckplätze eingelegt wurde. Dies ist sehr nützlich, um festzustellen, in welchem Zustand sich die Batterie befindet. Zusammen mit dem Kapazitätstest ist dies alles was Sie brauchen, um den Zustand Ihres Akkus genau zu kennen. Bitte beachten Sie, dass die IR-Messung sehr empfindlich ist und einige Messfehler auftreten können. So kann z. B. das IR-Ergebnis, das mit einem neuen Ladegerät erzielt wird, etwas zu optimistisch sein, insbesondere bei Li-Ionen-Akkus. Die IR-Ergebnisse neigen dazu, mit der Alterung von Akkus und Ladegerät anzusteigen (aufgrund des erhöhten Kontaktwiderstands). Bei einem Ladegerät der Verbraucherklasse sind die IR-Ergebnisse sehr genau und ermöglichen einen einfachen Vergleich der Zellen

untereinander. Um optimale Ergebnisse zu erzielen, sollte der Akku zu etwa 30-70 % geladen sein. Die IR-Messung an einem entladenen oder fast geladenen Akku kann zu falschen Ergebnissen führen.

Wie man IR-Ergebnisse liest (niedriger ist besser):

Ni-MH

<70 mΩ - qualitativ

hochwertige/neue Zelle mit hoher Leistungsfähigkeit,

70-200 mΩ - erhöhter

Innenwiderstand, begrenzte Leistung bei Anwendungen mit

hohem Drain, weniger

zuverlässiger Betrieb,

200-500 mΩ - es wird

empfohlen, Auffrischungszyklen durchzuführen und den Wert

erneut zu überprüfen. Tritt keine

Verbesserung ein, so ist die

Zelle abgenutzt und kann nur

noch in Geräten mit geringer

Leistung verwendet werden, es

wird jedoch empfohlen, diese

Batterie zu entsorgen,

>500 mΩ - es wird empfohlen,

Auffrischungszyklen

durchzuführen und den Wert

erneut zu überprüfen. Tritt keine

Verbesserung ein, ist die Zelle

vollständig abgenutzt und sollte

entsorgt werden,

Li-basiert

< 30 mΩ qualitativ

hochwertige/neue Zelle mit hoher Leistungsfähigkeit,

30-150 mΩ typische Zelle für

Anwendungen mit geringem

Drain oder eine Zelle mit

integriertem PCM

(elektronisches Schutzmodul)

150-250 mΩ - erhöhter

Innenwiderstand, sollte nicht für Anwendungen mit hohem Drain

verwendet werden,

>250 mΩ - ein untypisches und

sehr hohes Ergebnis für eine Li-

basierte 16340/18650/21700

Zelle - in diesen Fällen sollte die

Zelle entsorgt werden.

9. Ladevorgang

Das Ladegerät hat sechs unabhängige Ladeschächte. Es ermöglicht das gleichzeitige Laden verschiedener Zellen, Größen und Kapazitäten in unterschiedlichen Mengen (von 1 Stück bis 6 Stück). Alle kompatiblen Akkus werden automatisch geladen (außer LiFePO₄ und Li-HV, die manuell ausgewählt werden müssen). Der Ladevorgang wird streng kontrolliert und mit sehr guter Präzision beendet (die Beendigungsmethode hängt vom Akkutyp ab). Wenn der Vorgang beendet ist, wird das Symbol für einen vollen Akku neben der entsprechenden Steckplatznummer angezeigt. Das Ende des Vorgangs wird auch durch die Bezeichnung "End" auf dem LCD angezeigt, wenn der Status des ausgewählten Batteriesteckplatzes angezeigt wird. Jeder Batteriestatus kann durch Drücken der SLOT-Taste überprüft werden. Das Display zeigt eine Vielzahl von Informationen an: geladene Kapazität (nicht die tatsächliche Kapazität der Zelle), Zeit, Spannung und Ladeprozentsatz.

HINWEIS: Wir empfehlen, dass Akkus mit einer Kapazität von weniger als 1000 mAh nur mit der Einstellung 500 mA geladen werden. Das Laden mit 1000mA Strom kann die Lebensdauer der Batterie verkürzen.

10. Entladungsmodus.*

Drücken Sie kurz die MODE-Taste, um den DISCHARGE-Modus auszuwählen. Es stehen zwei Entladeströme zur Auswahl: 200mA und 400mA. Die Endspannung hängt vom Batterietyp ab. Wenn der gesamte Vorgang abgeschlossen ist, erscheint der leere Akku neben dem entsprechenden Steckplatz - C4. Bei diesem Vorgang wird der Akku nicht aufgeladen! Es wird nicht empfohlen, Zellen im entladenen Zustand zu belassen. Das Ende des Vorgangs wird auch durch die Anzeige "End" auf dem LCD angezeigt. Bei einer neuen, qualitativ

hochwertigen Zelle sollte die entladene Kapazität sehr nahe an der Nennkapazität der Zelle liegen.

11. Entladungsmodus.*

Es handelt sich um eine spezielle Kombination aus mehreren Lade- und Entladezyklen. Das Ladegerät versucht, die Kapazität älterer Zellen, die über einen längeren Zeitraum nicht benutzt wurden, zu maximieren. Es kann auch zur Initialisierung/Formierung neuer Batterien verwendet werden. Drücken Sie kurz die MODE-Taste, um den Auffrischungsmodus zu wählen. Der Entladestrom ist streng an den Ladestrom gekoppelt. Bei einem Ladestrom von 200mA und 500mA beträgt der Entladestrom 200mA, jeder andere höhere Strom verursacht einen höheren Entladestrom, der 400mA beträgt. Wenn der gesamte Vorgang abgeschlossen ist, wird die volle Batterie neben dem entsprechenden Steckplatz - C4 - angezeigt. Das Ende des Vorgangs wird auch durch die Anzeige "End" auf dem LCD angezeigt. Bei einer neuen, qualitativ hochwertigen Zelle sollte die entladene Kapazität sehr nahe an der Nennkapazität der Zelle liegen.

12. Testmodus.*


In diesem Modus lädt das Ladegerät die Batterie zunächst auf, entlädt sie dann und lädt sie erneut auf. Der Strommechanismus ist der gleiche wie im Refresh-Modus - der Entladestrom ist mit dem Ladestrom verbunden. Bei einem maximalen Ladestrom von 500 mA wird der Entladestrom auf 200 mA eingestellt, jeder höhere Strom führt dazu, dass der Entladestrom auf 400 mA eingestellt wird. Wenn der gesamte Prozess abgeschlossen ist, erscheint die volle Batterie neben dem entsprechenden Steckplatz - C4. Das Ende des Vorgangs wird auch durch die Anzeige "End" auf dem LCD angezeigt. Bei einer neuen,

qualitativ hochwertigen Zelle sollte die entladene Kapazität sehr nahe an der Nennkapazität der Zelle liegen.

***HINWEIS: Die Modi DISCHARGE, REFRESH und TEST sind nur für den Steckplatz C4 verfügbar!**

13. Entsorgung des Produkts nach dem Gebrauch



Die Kennzeichnung mit einer durchgestrichenen Mülltonne auf allen Produkten, Verpackungen und Gebrauchsanweisungen bedeutet, dass elektrische Produkte und Akkus nach Gebrauch bei den zuständigen Sammelstellen zur Entsorgung abgegeben werden müssen. Sie dürfen nicht in  Container für Abfälle entsorgt werden. Diese

Forderung gilt in der gesamten Europäischen Union. Mit der richtigen Entsorgung tragen Sie zum Schutz der Umwelt und der natürlichen Ressourcen bei. Mehr unter: www.everActive.pl/eco.

14. Garantie

Wenn dieses Produkt, innerhalb von zwei Jahren ab dem Kaufdatum ein Defekt aufweist, ersetzt oder repariert Baltrade das defekte Produkt. Die Garantie deckt jedoch keine Schäden, die durch unsachgemäße Verwendung, die nicht in Übereinstimmung mit der Bedienungsanleitung verursacht wurden. Die Garantie gilt nicht für das Produkt, wenn es modifiziert wurde, auseinander gebaut wurde, Flüssigkeiten ausgesetzt wurde, wenn sie in das Produkt andere Gegenstände eingelegt haben (außer Akkus), wenn es extreme Temperaturen, Umweltbedingungen und mechanische Belastungen ausgesetzt wurde, die die Elektronik oder Mechanik des Ladegerätes beschädigen konnten. Wenn das

Ladegerät von der Garantie gedeckt ist, wird es repariert oder ersetzt.

Die Kenntnis über den Defekt sollte dem Händler, wo das Ladegerät gekauft wurde, gemeldet werden. Das Ladegerät muss mit dem gesamten Zubehör eingeschickt werden.

Adresse:

Baltrade sp. z o.o.

Kartuska 493

80-298 Gdansk, Poland

E-mail: support@baltrade.eu

Eine Quittung oder Rechnung muss als Kaufnachweis vorgelegt werden.

Garantie schließt nicht die Kulanzrechte aus.

Nach der Garantiezeit, können wir das Ladegerät, gegen Bezahlung Instandsetzen oder Umtauschen. Bitte melden sie sich vorher telefonisch oder per E-Mail.

1. Dane techniczne.

Specyfikacja		
Obsługiwane akumulatory	Ni-MH: AAAA, R03 AAA, R6 AA, R14 C, SC, R20 D Li-ion and Li-FePO ₄ : 10440, 14500, 14650, 16340 (R-CR123), 17500, 17670, 18350, 18500, 18650, 20700, 21700 22650, 25500, 26500, 26650, 32650, 33600 Ni-MH/Cd, Li-FePo ₄ , Li-ion 6F22 / 9V battery maks. długość ogniwa: 76 mm	
Napięcie terminacji	ładowanie: Ni-MH: -dV (~1.48V), Li-ion: 4.2V/4.35V, Li-FePO ₄ : 3.65V	rozładowanie: Ni-MH: 1.0V Li-ion: 2.8V, LiFePO ₄ : 2.3V
Prąd ładowania	Ni-MH: 0.2A/0.5A/0.8A/1A Li-ion/Li-HV/Li-FePO ₄ : 0.2A/0.5A/0.8A/1A/1.5A/2Ax2 only slot 1&4 9V battery: 60/120mA x2	
Prąd rozładow.	200mA / 400mA – only slot number 4	
Zabezpieczenia	kontrolowana mikroprocesorem, precyzyjna terminacja ładowania, zabezpieczenie przed przeładowaniem, detekcja ogniw uszkodzonych, 60h timer (dla ładowania)	
Funkcje	ładowanie, rozładowanie, odświeżanie, test pojemności, wskazanie napięcia, pomiar rezystancji wewnętrznej, procentowe wskazanie poziomu naładowania	
Wyświetlacz LCD	duży czytelny wyświetlacz z podświetleniem	
Temp. pracy	0-40°C	
Ilość przycisków	3	
Zasilanie	100-240V AC, 0.8A Max adapter samochodowy (dostępny osobno): 12V DC, 3A Max	
Rozmiary	167 x 122 x 44 mmf	

2. Informacje ogólne. Zastosowanie.

Dziękujemy za zakup produktu everActive.

UC-4200 to profesjonalna ładowarka do akumulatorów Li-ion/Li-HV, Ni-MH/Li-FePO₄ z funkcją ładowania, rozładowania, odświeżania oraz testu. Ładowarka obsługuje szeroki zakres cylindrycznych ogniw: 3.0-3.3V Li-FePO₄, 3.6-3.85V Li-ion, 1.2V Ni-MH oraz akumulatory typu 9V.

Obsługiwane rozmiary ogniw: 10440 (AAA), 14500 (AA), 14650, 16340 (R-CR123), 17500, 17670, 18350, 18500, 18650, 20700, 21700 22650, 25500, 26500 (C), 26650, 32650 (D), 33600 oraz akumulatory typu 9V. UC-4200 obsługuje zarówno ogniwa zabezpieczone jak i bez zabezpieczenia, których całkowita wysokość nie przekracza 76mm.

Ładowarka wyposażona jest w cztery niezależne kanały ładowania dla maksymalnej wygody użytkownika.

Ładowarka umożliwia ładowanie i rozładowanie (testowanie) akumulatorów o różnych rozmiarach/pojemnościach w tym samym czasie. Niespotykany, duży wyświetlacz LCD pokazuje szeroki zakres informacji: pojemność z ładowania, pojemność z rozładowania, czas, napięcie, prąd ładowania, status pracy, typ akumulatora itp.

Ładowarka UC-4200 może być używana jedynie z oryginalnym kablem AC lub certyfikowanymi adapterami DC.



Ładowarka spełnia wszystkie przepisy Dyrektywy LVD 2014/35/EU, Dyrektywy EMC 2014/30/EU i jest zgodna z odpowiednimi normami Europejskimi (EN).

3. Zawartość zestawu.

Opakowanie zawiera:

- ładowarka everActive UC-4200,
- instrukcja użytkowania,
- kabel zasilający AC.

4. Zasady bezpieczeństwa.

1. Przed użyciem ładowarki należy zapoznać się z niniejszą instrukcją obsługi.
2. Gniazdo przyłączeniowe powinno być zamontowane blisko urządzenia i powinno być łatwo dostępne.
3. Urządzenie może być używane przez dzieci w wieku powyżej 8 lat i przez osoby o ograniczonych zdolnościach psychicznych, fizycznych i ruchowych lub o niewystarczającym doświadczeniu i wiedzy, pod warunkiem, że będą uważnie nadzorowane i pouczone przez osobę, która jest za nie odpowiedzialna, o bezpiecznym użytkowaniu urządzenia i o ryzyku z nim związanym.
4. Należy pilnować, by dzieci nie bawiły się urządzeniem. Czyszczenie i konserwacja, za którą odpowiada użytkownik, nie może być wykonywana przez dzieci, chyba że mają one ponad 8lat i są nadzorowane.
5. Trzymać urządzenie i kabel zasilający z dala od dzieci w wieku poniżej 8 lat.
6. Ładowarka przeznaczona jest do pracy wyłącznie z cylindrycznymi akumulatorami 3.0-3.3V Li-FePO₄, 3.6-3.85V Li-ion, 1.2V Ni-MH oraz do akumulatorów typu 9V. Próba ładowania innych typów akumulatorów lub baterii może spowodować uszkodzenie ładowarki i baterii, pożar lub zranienie użytkownika.
7. Ładowarka może być używana jedynie wewnątrz pomieszczeń. Oddziaływanie płynów lub wilgoci może uszkodzić

ładowarkę i akumulatorki. Wkładanie do ładowarki przedmiotów innych niż akumulatorki może spowodować zwarcie, porażenie prądem lub pożar.

8. Należy odłączyć ładowarkę i zasilacz od gniazdka zasilającego gdy nie jest ona używana. Nie zostawiać pracującej ładowarki bez nadzoru.

9. Nie należy podłączać ładowarki do zasilania zasilaczem nie dostarczonym w komplecie z ładowarką.

10. Nie należy używać ładowarki, jeżeli jest ona uszkodzona. Należy ją dostarczyć do wyspecjalizowanego serwisu w celu naprawy lub wymiany.

11. Nie należy rozmontowywać ładowarki – może to spowodować porażenie prądem lub pożar.

12. Po odłączeniu ładowarki od zasilania można ją oczyścić używając suchej, miękkiej ściereczki – nie należy używać wody, detergentów ani alkoholu.

13. Nie należy próbować ładować akumulatorów z widocznymi wadami lub uszkodzeniami jak rdza, uszkodzona lub naderwana folia ochronna, z wgniecioną lub przedziurawioną obudową gdyż może to doprowadzić do pożaru.

14. Nie należy próbować ładować zamrożonych akumulatorów.

15. Ładowarka może być używana jedynie z dostarczonym w komplecie zasilaczem.

16. Akumulatorki należy wkładać do ładowarki zgodnie z ich polaryzacją: (+) dodatnią i (-) ujemną.

17. Akumulatorki mogą nagrzewać się podczas pracy ładowarki.

5. Zasilanie.

Ładowarka może być zasilana wyłącznie przy użyciu oryginalnego kabla zasilającego lub certyfikowanego adaptera DC 12V. Po podłączeniu zasilania włącza się wyświetlacz LCD.

6. Opis działania przycisków sterujących.

SLOT – w przypadku ładowania więcej niż jednego akumulatora jednocześnie, powoduje z każdym naciśnięciem przełączenie na kolejne zajmowane gniazdo ładowania (C1,C2,C3,C4, 1 i 2 - dla akumulatorów 9V). Umożliwia wyświetlenie dokładnych, indywidualnych informacji na temat procesu ładowania każdego zainstalowanego akumulatora.

MODE – MODE - Po włożeniu akumulatorów do ładowarki długo naciśnij (1-2s) przycisk, aby zmienić typ akumulatora. W przypadku akumulatorów LiFePO4 i Li-ion HV 3.85V należy ręcznie zmienić typ akumulatora. Ładowarka nie jest w stanie sama zidentyfikować tych typów baterii. Jest to bardzo ważne w przypadku ładowania LiFePO4. Dodatkowo przycisk ten służy również do obsługi kanału C4, gdzie można korzystać z różnych trybów takich jak: rozładowanie, odświeżenie i test. Wystarczy krótko nacisnąć przycisk i wybrać pożądany proces.

CURRENT – domyślny prąd ładowania dla kanałów C1 - C4 wynosi 500mA oraz 120mA dla baterii 9V. Krótkie naciśnięcie tego przycisku pozwala wybrać inny prąd ładowania lub rozładowania w trybie rozładowania (rozładowanie działa tylko dla gniazda C4).

7. Podstawowe operacje.

Zaraz po umieszczeniu ogniw ładowarka przeprowadzi diagnostykę aby ocenić rodzaj akumulatora oraz jego kondycję. Ładowarka spróbuje aktywować ogniwa o zerowym napięciu poprzez 60s ładowanie ograniczonym prądem. W przypadku braku wzrostu napięcia ładowarka zgłosi błąd – symbol baterii będzie mrugał oraz informacja o błędzie „Err” zostanie wyświetlone na LCD.

W zależności od wartości napięcia ładowarka automatycznie określi rodzaj akumulatora Ni-MH lub Li-ion. W przypadku detekcji ogniwa Li-ion możliwe jest ręczne wybranie programu ładowania dla ogniw Li-FePO₄ oraz Li-HV tak jak zostało to opisane w

pkt 6. Symbol rodzaju baterii jest wyświetlony na wyświetlaczu LCD (Ni-MH, Li-ion, LiFePO₄, Li-ion 4.35V).

Podczas instalowania kolejnych ogniw w ładowarce, wyświetlacz LCD będzie pokazywał status dla ostatniego zainstalowanego akumulatora. Użytkownik może ręcznie dokonać przeglądu pozostałych gniazd poprzez naciśnięcie przycisku SLOT.

W przypadku braku dalszych działań użytkownika ładowarka będzie kontynuowała ładowanie wg ustawień domyślnych – z prądem 500 mA dla kanałów C1-C4 oraz 120mA dla kanałów akumulatorów typu 9V.

8. Wybór trybu pracy i prądu ładowania.

Ładowarka posiada unikalną funkcję pozwalającą na testowanie rezystancji wewnętrznej (IR) ogniw. Test przeprowadzany jest automatycznie tuż po umieszczeniu akumulatora w dowolnym slotcie. Jest to bardzo przydatne do określenia w jakiej kondycji jest akumulator. Wraz z testem pojemności jest to wszystko, czego potrzebujesz, aby mieć pełną wiedzę o stanie akumulatora. Należy pamiętać, że pomiar IR jest bardzo czuły i mogą wystąpić pewne błędy pomiarowe, na przykład wynik IR uzyskany w nowej ładowarce może być nieco zbyt optymistyczny, zwłaszcza w przypadku akumulatorów Li-ion. Wyniki pomiarów w rezystancji wewnętrznej mają tendencję do zwiększania się ze względu na starzenie się akumulatorów i ładowarki (ze względu na zwiększoną rezystancję styku). W przypadku ładowarki klasy konsumenckiej wyniki IR są bardzo dokładne i pozwalają na łatwe porównanie

ogniwi między sobą. Dla uzyskania optymalnych wyników akumulator powinien być naładowany w około 30-70%. Pomiar IR na rozładowanym lub prawie naładowanym akumulatorze może przekłamać wynik.

Jak odczytywać wyniki IR (niższe jest lepsze):

Ni-MH

<70 mΩ - wysoka jakość/nowe ogniwo o dużych możliwościach prądowych,

70-200 mΩ - zwiększona rezystancja wewnętrzna, ograniczona wydajność w aplikacjach o wysokim poborze prądu, mniejsza niezawodność działania,

200-500 mΩ - zaleca się przeprowadzenie cykli odświeżania i ponowne sprawdzenie wartości. Jeśli nie ma poprawy, ogniwo jest zużyte i może być stosowane tylko w urządzeniach o małej mocy, zaleca się utylizację takiego akumulatora,

>500 mΩ - zaleca się wykonanie cykli odświeżania i ponowne sprawdzenie wartości. Jeśli nie ma poprawy, ogniwo jest całkowicie zużyte i powinno zostać zutyilizowane.

Li-based

< 30 mΩ wysokiej jakości/nowe ogniwo o dużych możliwościach prądowych,

30-150 mΩ typowe ogniwo do zastosowań o małym poborze prądu lub ogniwo z wbudowanym PCM (elektronicznym modułem zabezpieczającym)

150-250 mΩ - zwiększona rezystancja wewnętrzna, nie powinno być używane w aplikacjach o wysokim poborze prądu,

>250 mΩ - wynik nietypowy i bardzo wysoki dla ogniwa Litowo-jonowego

16340/18650/21700 - takie ogniwo należy zutylizować.

Aby mieć pewność, że uzyskane wyniki pomiarów IR są prawidłowe, należy upewnić się, że styki / metalowe części ładowarki i baterii są czyste. Zaleca się wykonanie kilku pomiarów - jeśli wartość jest powtarzalna, można uznać ją za prawidłową. Zawsze dobrze jest mieć referencyjny akumulator tego samego typu, o znanej niskiej wartości IR w celu porównania wyników.

Domyślnym trybem pracy UC-4200 jest ładowanie (CHARGE) prądem 500mA dla gniazd C1-C4 i 120mA dla baterii 9V. Prąd ładowania może być zmieniany dla wszystkich typów baterii poprzez przytrzymanie przycisku MODE przez 1-2s. Tryby pracy można zmieniać tylko dla gniazda C4 i można wybrać spośród: charge, discharge, refresh i test.

Tryb pracy i prąd ładowania mogą być zmieniane w trakcie trwania procesu ładowania. Każda zmiana trybu pracy resetuje zapisane dane dla wszystkich włożonych baterii.

9. Tryb ładowania.

Ładowarka posiada sześć niezależnych kanałów ładowania. Pozwala na ładowanie różnych ogniw, rozmiarów, pojemności w różnej (od 1szt do 6szt) ilości jednocześnie. Wszystkie kompatybilne akumulatory są ładowane automatycznie (oprócz LiFePO4 i Li-HV, które trzeba wybrać ręcznie). Proces ładowania jest ściśle kontrolowany i zakończony z bardzo dobrą precyzją (sposób zakończenia zależy od typu akumulatora). Po zakończeniu operacji obok numeru slotu widoczny jest symbol pełnej baterii. Zakończenie procesu jest również sygnalizowane napisem "End" na wyświetlaczu LCD podczas wyświetlania stanu wybranego kanału. Stan każdej baterii można sprawdzić naciskając przycisk SLOT. Wyświetlacz pokazuje wiele informacji: pojemność naładowania (nie jest to rzeczywista pojemność ogniwa), czas, napięcie i procent naładowania.

UWAGA: zalecamy, aby akumulatory o pojemności mniejszej niż 1000mAh ładować wyłącznie przy użyciu ustawienia 500mA. Ładowanie prądem 1000mA może skrócić żywotność baterii.

10. Tryb rozładowania.

Naciśnij krótko przycisk MODE, aby wybrać tryb DISCHARGE. Do wyboru są dwa prądy rozładowania: 200mA i 400mA. Napięcie końcowe zależy od typu baterii. Po zakończeniu całego procesu obok odpowiedniego gniazda - C4 pojawi się symbol pustego akumulatora. W tym procesie bateria nie będzie ładowana! Nie zaleca się pozostawiania ogniw w stanie rozładowania. Zakończenie procesu sygnalizowane jest również napisem 'End' na wyświetlaczu LCD. Dla nowego, dobrej jakości ogniwa, pojemność po rozładowaniu powinna być bardzo zbliżona do znamionowej pojemności akumulatora.

11. Tryb odświeżania.

Jest to specjalna kombinacja kilku cykli ładowania i rozładowania. Ładowarka stara się maksymalnie zwiększyć pojemność starszych ogniw, które nie były używane przez dłuższy czas. Może być używany do inicjalizacji/formowania nowych akumulatorów. Naciśnij krótko przycisk MODE, aby wybrać tryb Refresh. Prąd rozładowania jest ściśle powiązany z prądem ładowania. Dla prądu ładowania 200mA i 500mA prąd rozładowania będzie wynosił 200mA, każdy inny wyższy prąd spowoduje wyższy prąd rozładowania, który wynosi 400mA. Po zakończeniu całego procesu obok odpowiedniego slotu - C4 pojawi się symbol pełnego akumulatora. Zakończenie procesu sygnalizowane jest również napisem 'End' na wyświetlaczu LCD. Dla nowego, dobrej jakości ogniwa, pojemność po rozładowaniu powinna być bardzo zbliżona do znamionowej pojemności akumulatora.

12. Tryb testowania

W tym trybie ładowarka najpierw naładuje akumulator, a następnie rozładuje i naładuje ponownie. Dobieraniu prądu rozładowania działa tak samo jak w trybie odświeżania – prąd rozładowania jest połączony z prądem ładowania. Dla prądu ładowania 500mA max - prąd rozładowania zostanie ustawiony na 200mA, każdy większy prąd ładowania spowoduje ustawienie prądu rozładowania na 400mA. Po zakończeniu całego procesu obok oznaczenia slotu C4 pojawi się symbol pełnej baterii. Zakończony proces jest również sygnalizowany napisem „END” na wyświetlaczu LCD. W przypadku nowego ogniwa dobrej jakości pojemność z rozładowania powinna być bardzo zbliżona do pojemności znamionowej ogniwa.

13. Utylizacja produktu.



Oznaczenie przekreślonego kosza na śmieci na produktach, opakowaniu i instrukcji obsługi oznacza, że produkty elektryczne, elektroniczne oraz baterie i akumulatory muszą być po ich eksploatacji oddawane do specjalnych punktów zbiórki odpadów elektrycznych i elektronicznych. Nie mogą być one wyrzucane do pojemników na odpady komunalne.

Wymóg ten ma zastosowanie w krajach Unii Europejskiej. Poprzez właściwą utylizację przyczyniają się Państwo do ochrony środowiska i zasobów naturalnych. Więcej na www.everActive.pl/eco.

14. Gwarancja.

Baltrade bezpłatnie naprawi lub wymieni niniejszy produkt, jeżeli w okresie 2 lat od daty zakupu zostanie ujawniona jego wada. Gwarancją nie są objęte uszkodzenia spowodowane niewłaściwym użytkowaniem, niezgodnym z instrukcją obsługi. Gwarancja nie obejmuje produktu do którego wkładano inne przedmioty niż akumulatorki. Nie obejmuje także produktu który był modyfikowany, rozmontowywany, narażony na działanie płynów, ekstremalne temperatury i warunki środowiskowe lub działania mechaniczne, które mogły uszkodzić elektroniczne układy ładowarki lub spowodować uszkodzenia mechaniczne.

Objęta gwarancją wadliwa ładowarka zostanie naprawiona lub wymieniona. Reklamację należy zgłaszać u sprzedawcy, od którego ładowarka została nabyta. Można ją także wysłać ze wszystkimi akcesoriami na poniższy adres:

Baltrade sp. z o.o.
Kartuska 493
80-298 Gdansk, Polska

E-mail: reklamacje@baltrade.pl,
tel.: +48 58 5522020 wew. 305

Reklamujący powinien okazać dowód zakupu w postaci paragonu lub faktury. Gwarancja ta nie ogranicza uprawnień kupującego wynikających z rękojmi.

Po okresie gwarancyjnym możemy dokonać naprawy lub wymiany ładowarki odpłatnie po uprzednim uzgodnieniu telefonicznym lub mailowym (dane jak wyżej).

Notatki:

PRAWA AUTORSKIE

Niniejszy dokument objęty jest ochroną praw autorskich. Właścicielem majątkowych praw autorskich jest Baltrade sp. z o.o. z siedzibą w Gdańsku. Nie zezwala się na jakiegokolwiek powielanie, zmiany, tłumaczenia czy wykorzystanie niniejszego dokumentu, w całości lub w części, poza dozwolonym użyciem osobistym oraz użytkowaniem przewidzianym prawem. W szczególności zabronione jest umieszczanie całości czy części tekstu lub materiałów graficznych w innych dokumentach czy grafikach.

Copyright 2022 Baltrade sp. z o.o.



www.everactive.pl