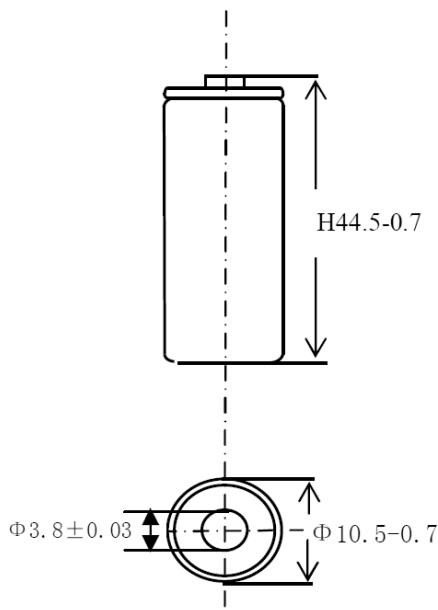




'Pro Alkaline' High Performance Battery LR03 AAA



Designation IEC:	LR03
Nominal voltage:	1.5 V
Designed capacity:	1300 mAh (discharge with high resistance)
Shelf life:	10 years
Weight:	11.2 g
Dimensions (max):	44.5 x 10.5 mm
Temperature ranges:	long-term storage: 10..25°C application/discharge: -20..60°C
Approved standards:	GB/T 8897.2, GB 8897.5, GB8897.5, IEC 60086-1, IEC 60086-2, IEC 60086-3, IEC 60086- 5

Typical service output (new battery, at 22°C):

Load	Conditions	End Voltage	Time
75Ω	4 h/d	0.9V	76 h
24Ω	15 s/m, 8 h/d	1.0V	21 h
5.1Ω	1 h/d	0.8V	4 h 45 min.
3.9Ω	24 h/d	0.9V	2 h 45 min.



Place, date of issue: Gdansk, 04.01.2021