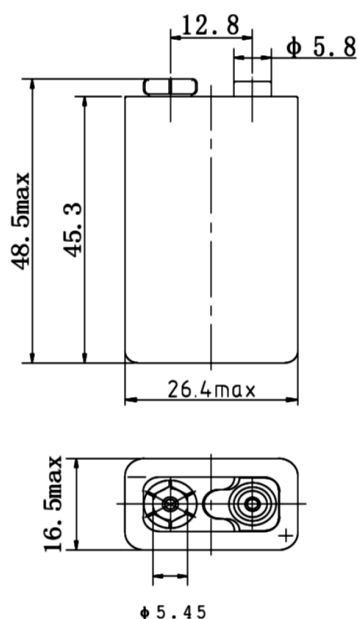




'Pro Alkaline' High Performance Battery 6LR61 9V



Designation IEC:	6LR61
Nominal voltage:	9V
Designed capacity:	650 mAh (discharge with high resistance)
Internal impedance:	1800 mΩ @1 kHz
Shelf life:	5 years
Weight:	46 g
Dimensions (max):	16.5 x 26.4 x 48.5 mm
Temperature ranges:	long-term storage: 10..25°C application/discharge: -20..60°C
Approved standards:	GB/T 8897.2, GB 8897.5, GB8897.5, IEC 60086-1, IEC 60086-2, IEC 60086-3, IEC 60086- 5

Typical service output (initial discharge, new battery, at 25°C):

Load	Conditions	End Voltage	Time
270Ω	1 h/d	5.4V	20 h
620Ω	2 h/d	5.4V	52 h
10kΩ background 0.62kΩ pulse: 1s on, 3599s off	24 h/d	7.5V	24 d

